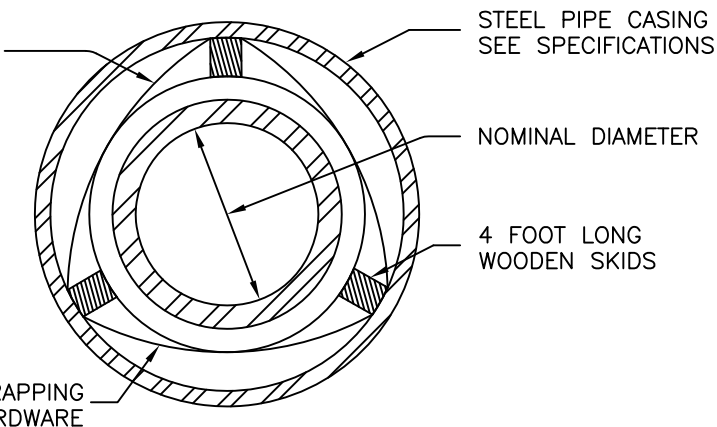


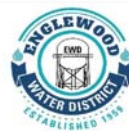
GROUT ANNULAR SPACE BETWEEN CARRIER PIPE AND CASING WITH NON-SHRINKING CEMENT GROUT. CEMENT PLUG SHALL BE 12 INCHES THICK.



PRESSURE TREAT WOOD OR STEEL SUPPORT BLOCK SECURED TO CARRIER PIPE SEE SPECIFICATION

LAST REVISION	NOV. 2017
CHECKED	KRL
APPROVED	PZ

**STEEL CASING PIPE
DETAIL**



ENGLEWOOD WATER DISTRICT
201 SELMA AVENUE
ENGLEWOOD, FLORIDA 34223