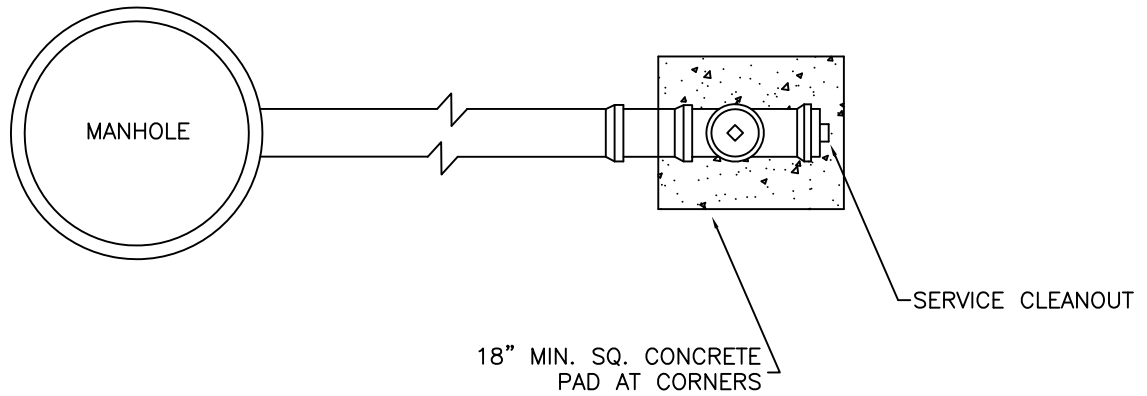


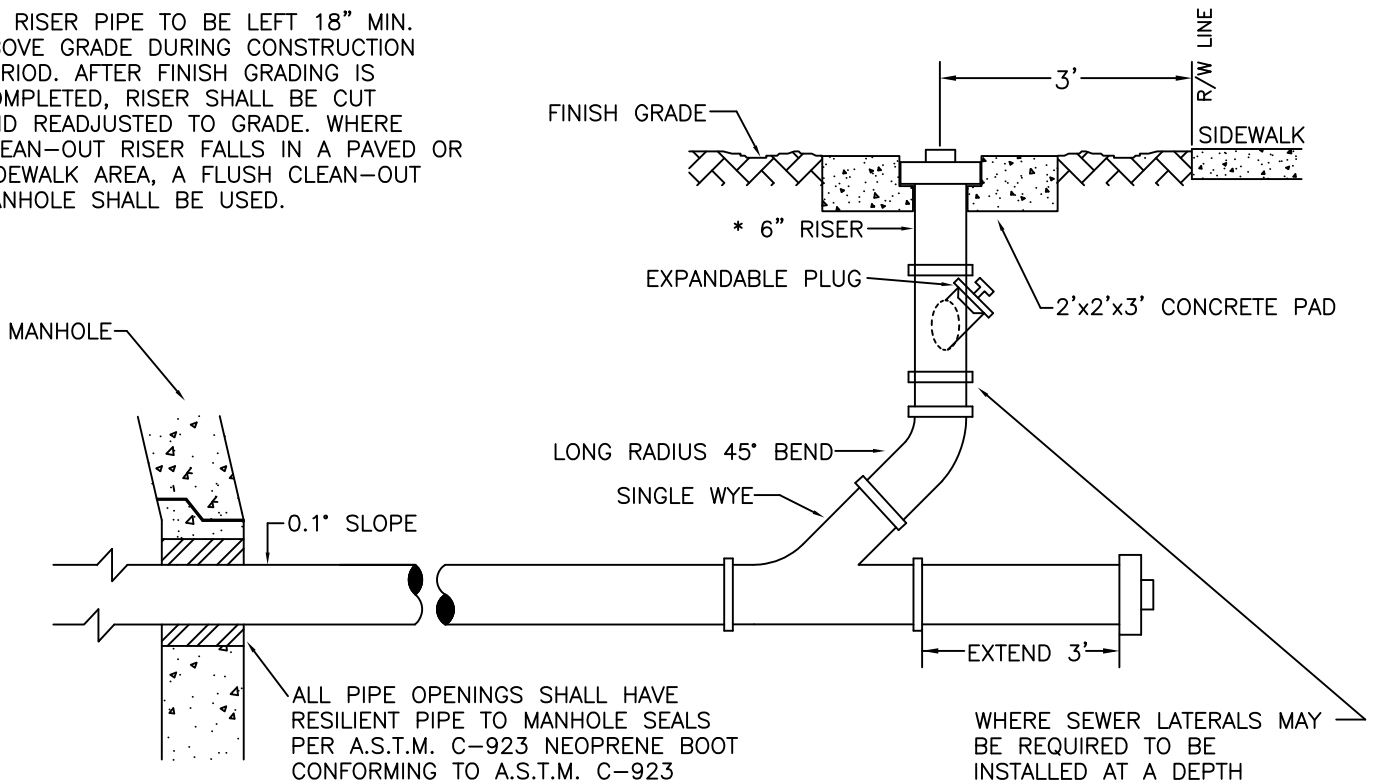
NOTE:

EACH SERVICE OR DOUBLE WYE SERVICE SHALL HAVE A CLEAN-OUT BROUGHT TO THE PROPERTY LINE.



OVERVIEW

* RISER PIPE TO BE LEFT 18" MIN. ABOVE GRADE DURING CONSTRUCTION PERIOD. AFTER FINISH GRADING IS COMPLETED, RISER SHALL BE CUT AND READJUSTED TO GRADE. WHERE CLEAN-OUT RISER FALLS IN A PAVED OR SIDEWALK AREA, A FLUSH CLEAN-OUT MANHOLE SHALL BE USED.



SIDEVIEW

WHERE SEWER LATERALS MAY BE REQUIRED TO BE INSTALLED AT A DEPTH GREATER THAN 36" DUE TO CONFLICT WITH OTHER UTILITIES, THE 6x4 DOUBLE WYE FITTING MAY BE PLACED IN A VERTICAL POSITION ON THE CLEAN-OUT RISER PIPE. WITH A 36" MIN. AND 48" MAX., CLEAN OUT TO BE CARRIED TO TOP.

LAST REVISION	NOV. 2017
CHECKED	KRL
APPROVED	PZ

**SINGLE SERVICE
(CORE BORE)**



**ENGLEWOOD WATER DISTRICT
201 SELMA AVENUE
ENGLEWOOD, FLORIDA 34223**