
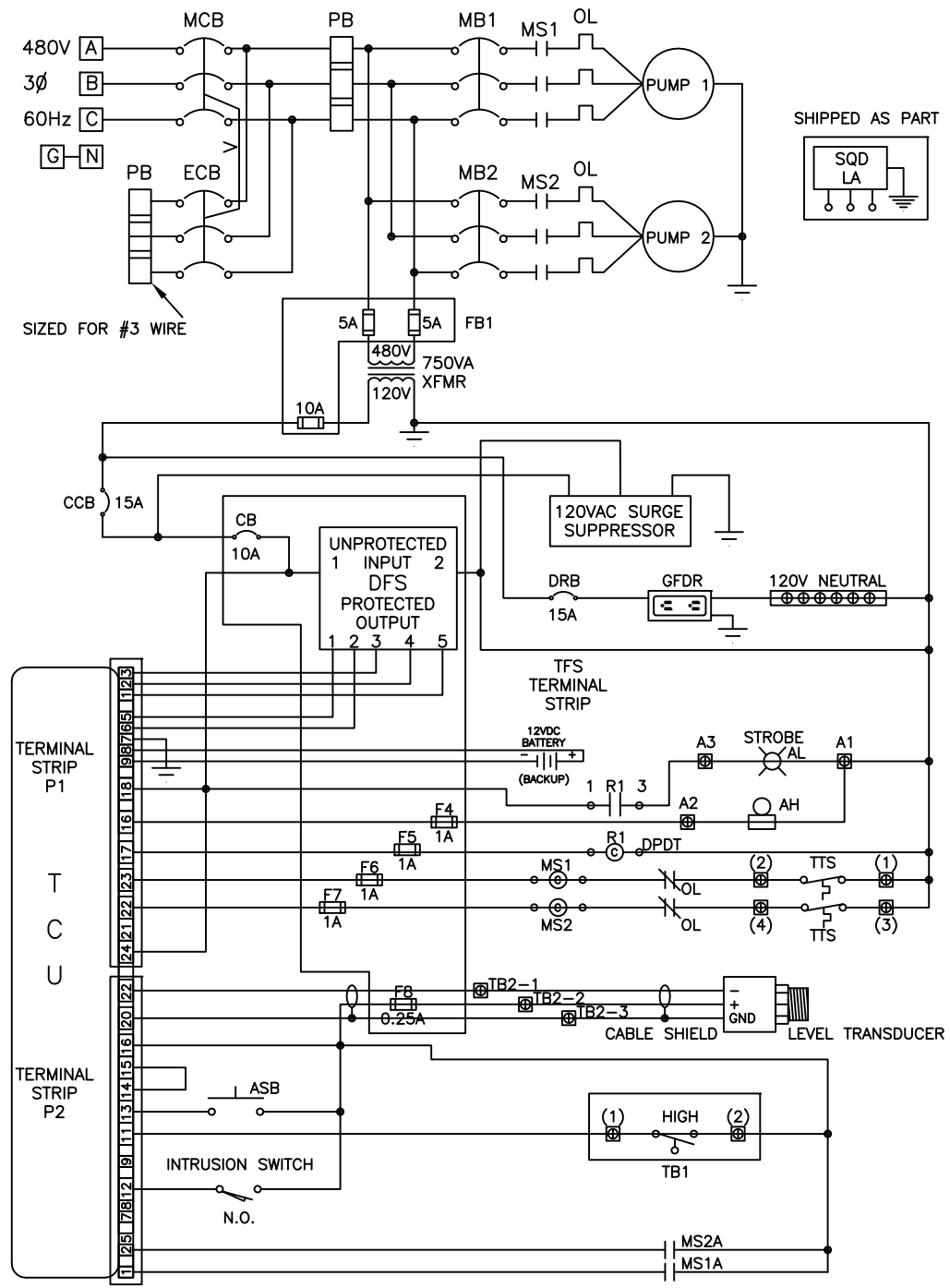


OUTER DOOR REMOVED TO SHOW DEADFRONT LAYOUT
 NEMA TYPE 3R 304 SS ENCLOSURE WITH CONT. HINGE
 ALL HARDWARE STAINLESS STEEL
 TYPICAL, ACTUAL LAYOUT MAY VARY LAYOUT
 3 PT. LATCH (NOT SHOWN)
 OUTER BOX SHALL BE A MINIMUM OR 24' W X 36' H X 10" D
 UL 508A LISTED PANEL

LAST REVISION	NOV. 2017	DUPLEX CONTROL PANEL ENCLOSURE LAYOUT 240V/480V- 3 PH	 ENGLEWOOD WATER DISTRICT 201 SELMA AVENUE ENGLEWOOD, FLORIDA 34223
CHECKED	KRL		
APPROVED	PZ		

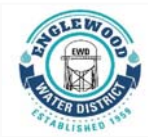


LEGEND

- | | | | |
|------|----------------------------------|-----|---------------------------|
| AB | - ALARM BELL | GR | - GENERATOR RECEPTACLE |
| AL | - ALARM LIGHT | LA | - LIGHTING ARRESTOR |
| ASB | - ALARM SILENCE BUTTON | MB | - MOTOR BREAKER |
| CB | - CIRCUIT BREAKER | MCB | - MAIN CIRCUIT BREAKER |
| CCB | - CONTROL CIRCUIT BREAKER | MS | - MOTOR STARTER |
| DFS | - DATA FLOW SYSTEMS | OL | - OVERLOAD |
| DPDT | - DOUBLE POLE DOUBLE THROW | PB | - POWER BLOCK |
| DRB | - DUPLEX RECEPTACLE BREAKER | PCU | - PUMP CONTROL UNIT |
| ECB | - EMERGENCY CIRCUIT BREAKER | R | - RELAY |
| F | - FUSE | TB | - TERMINAL BLOCK |
| FL | - FLASHER | TFS | - TRANSIENT FILTER SHIELD |
| GFDR | - GROUND FAULT DUPLEX RECEPTACLE | TTS | - THERMAL TERMINAL STRIP |

LAST REVISION	NOV. 2017
CHECKED	KRL
APPROVED	PZ

DUPLEX CONTROL PANEL
ENCLOSURE LAYOUT
480V- 3 PH



ENGLEWOOD WATER DISTRICT
 201 SELMA AVENUE
 ENGLEWOOD, FLORIDA 34223