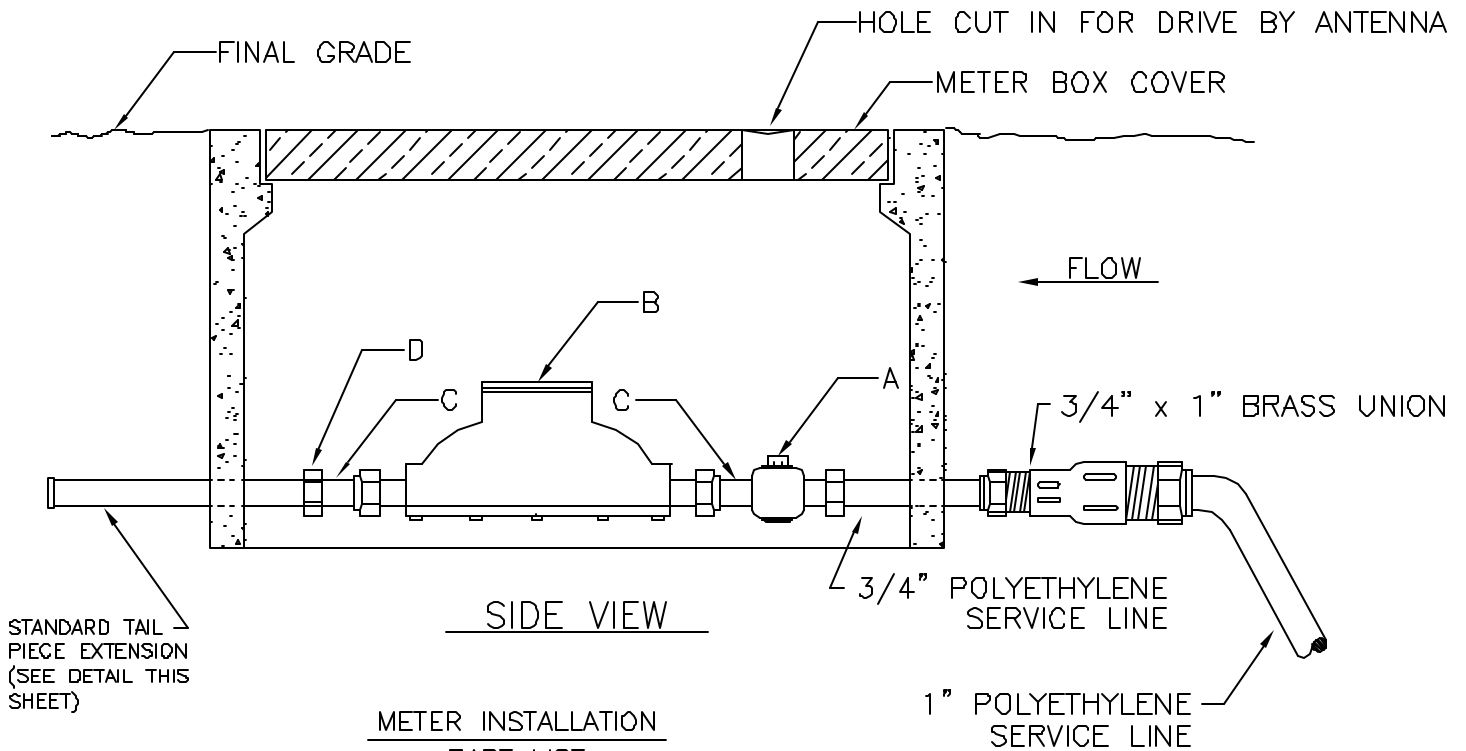


PLAN VIEW



SIDE VIEW

METER INSTALLATION  
PART LIST

ITEM	DESCRIPTION
A	BRASS CURB STOP
B	METER DOUBLE CHECK T-10 METER NEPTUNE
C	BRASS METER COUPLING
D	BALL VALVE, BRASS

\* ALL PVC PIPE AND FITTINGS SHALL BE SCH 80 EXCEPT FOR STANDARD TAIL PIECE SECTION WHICH WILL BE ENDOPURE POLYETHYLENE.

NOTE: PARTS LIST IS FOR STANDARD INSTALLATION; ACTUAL PARTS REQUIRED MAY VARY AS DIRECTED BY THE ENGINEER.

REMOTE READING METER  
METER SET DETAIL 5/8"