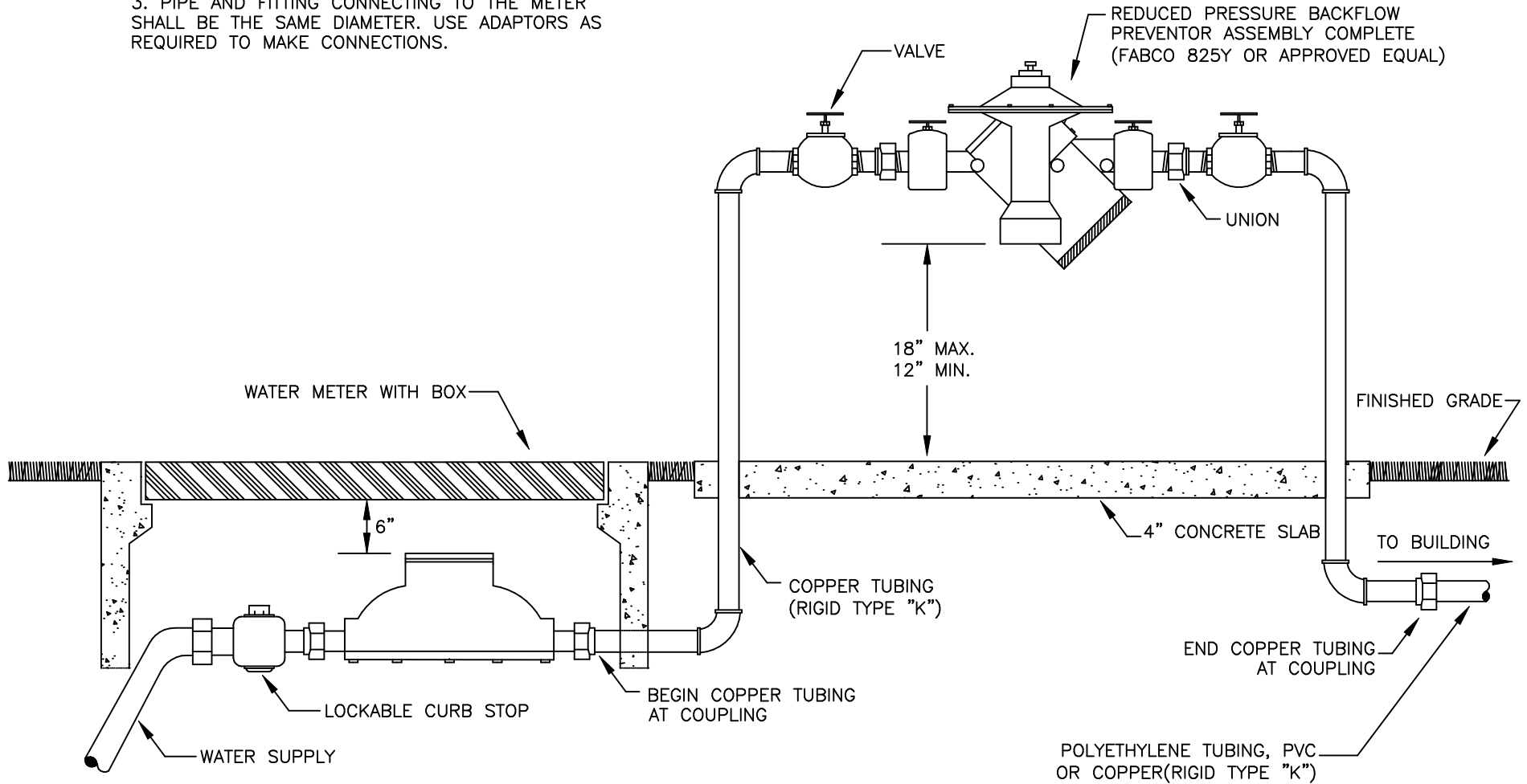


NOTES:

- 1. ALL METER LOCATIONS & INSTALLATION BY E.W.D
- 2. ALL METER WORK TO BE COORDINATED WITH E.W.D.
- 3. PIPE AND FITTING CONNECTING TO THE METER SHALL BE THE SAME DIAMETER. USE ADAPTORS AS REQUIRED TO MAKE CONNECTIONS.



REMOTE READING  
FOR 1" METERS

N.T.S.