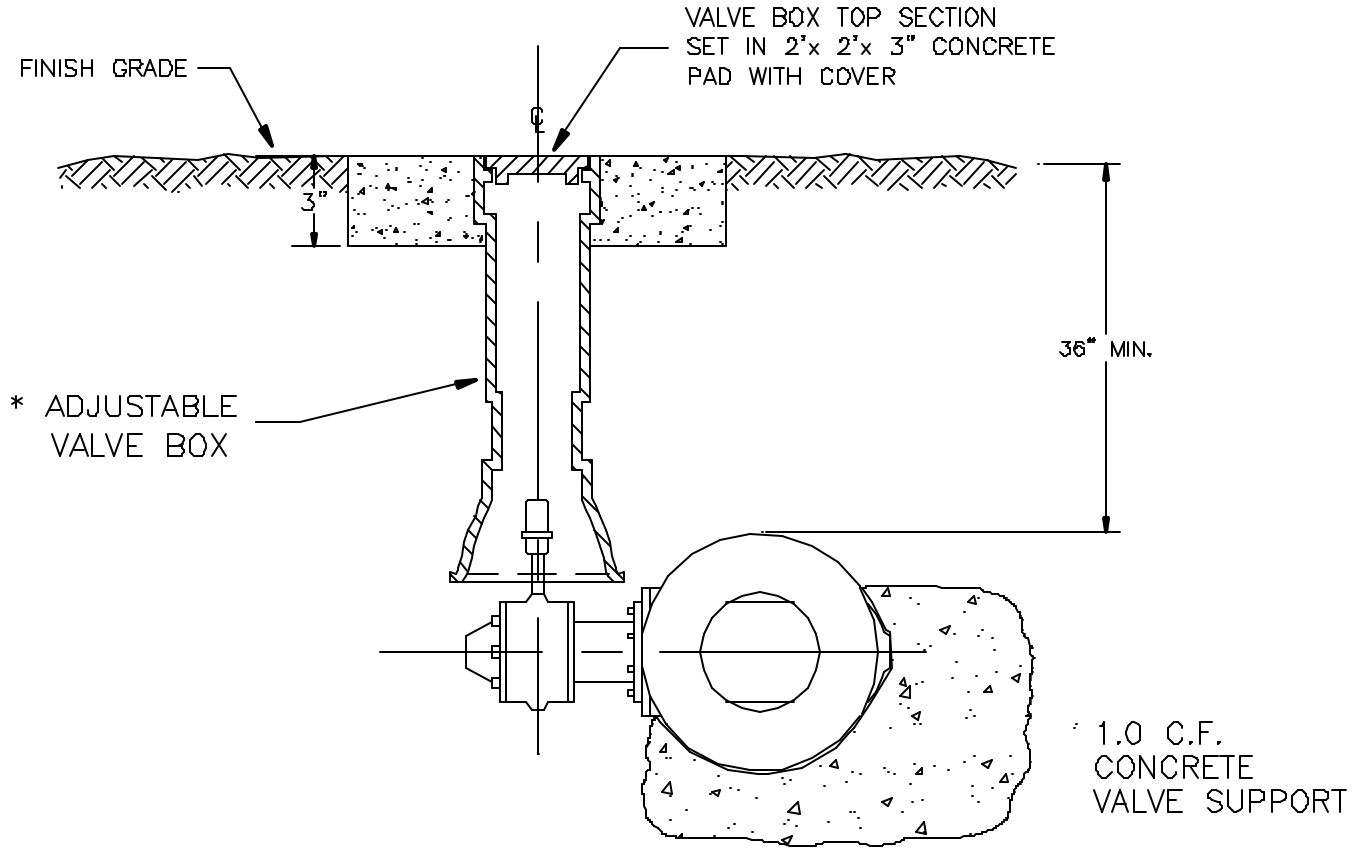


* VALVE BOX CENTER SECTION AS REQUIRED



NOTE:

WRAP VALVE WITH PLASTIC BEFORE INSTALLING SUPPORT

PLUG VALVE INSTALLATION DETAIL

N.T.S.