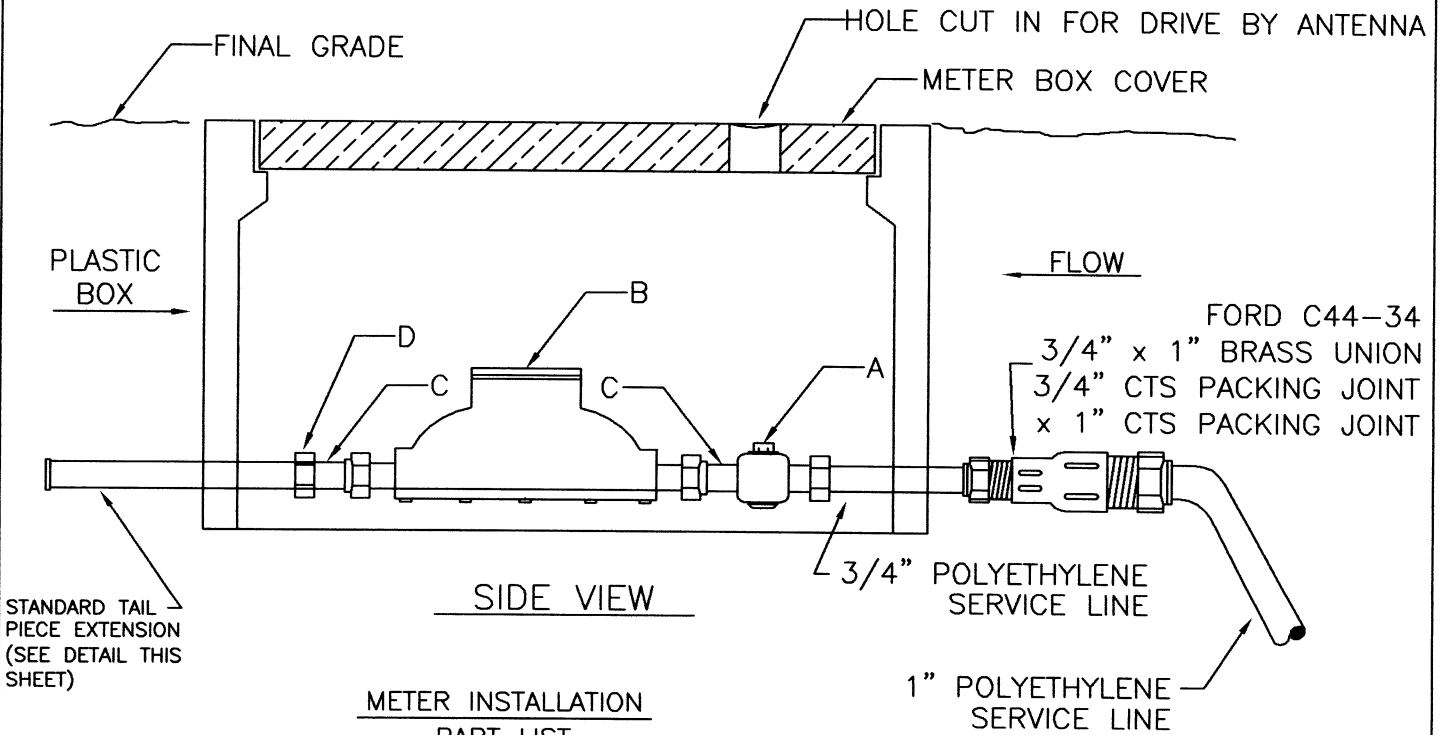


PLAN VIEW



SIDE VIEW

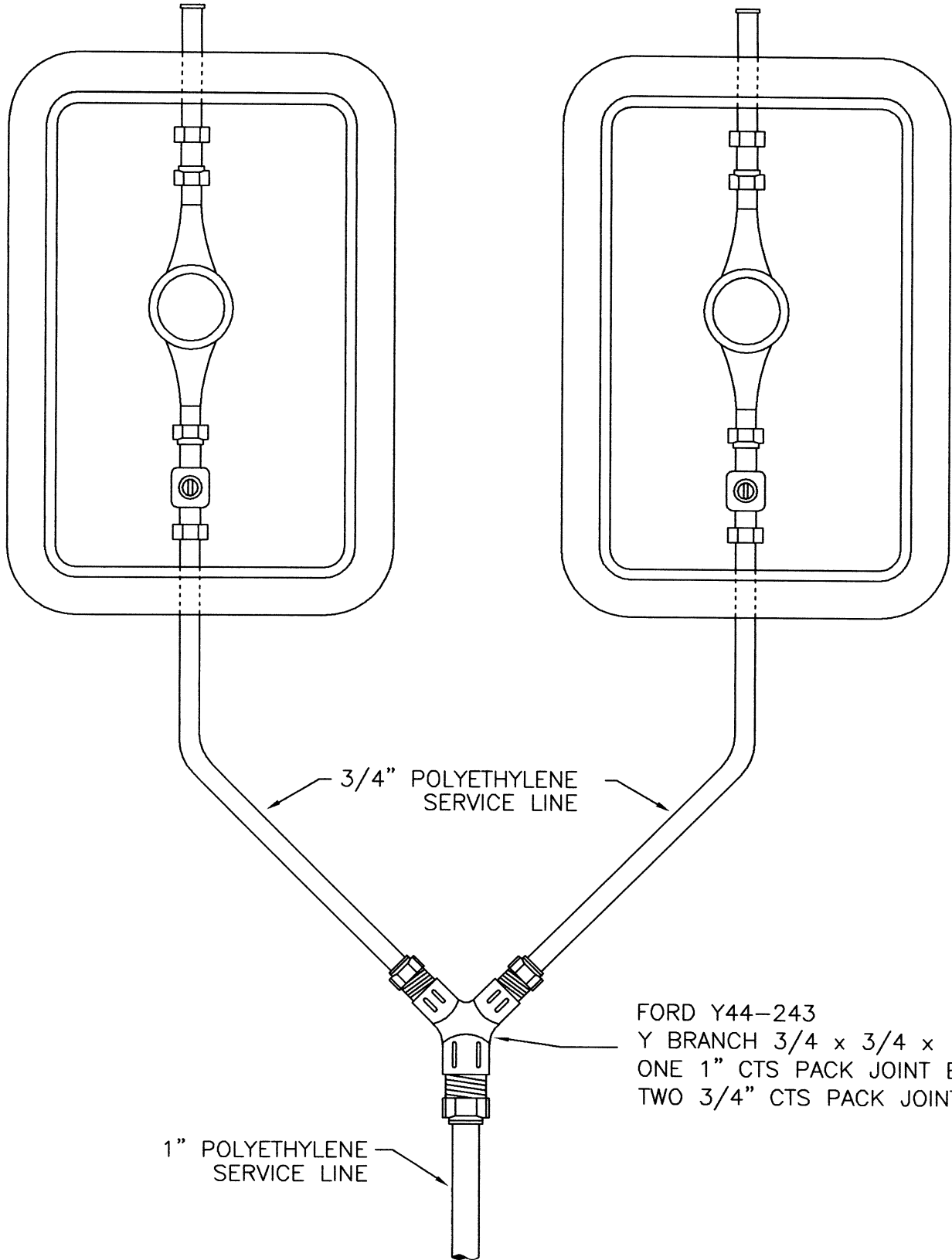
METER INSTALLATION
PART LIST

FORD	ITEM	DESCRIPTION
	A	BRASS CURB STOP (# B43-232W)
	B	METER DOUBLE CHECK T-10 METER NEPTUNE
	C	BRASS METER COUPLING
	D	BALL VALVE, BRASS
	E	WHEN INSTALLING METER BOXES SIDE BY SIDE USE Y BRANCH, (# Y44-243)

* ALLPVC PIPE AND FITTINGS SHALL BE SCH 80 EXCEPT FOR STANDARD TAIL PIECE SECTION WHICH WILL BE ENDOPURE POLYETHYENE.

NOTE: PARTS LIST IS FOR STANDARD INSTALLATION; ACTUAL PARTS REQUIRED MAY VARY AS DIRECTED BY THE ENGINEER.

REMOTE READING METER
METER SET DETAIL 5/8"



3/4" POLYETHYLENE
SERVICE LINE

1" POLYETHYLENE
SERVICE LINE

FORD Y44-243
Y BRANCH 3/4 x 3/4 x 1"
ONE 1" CTS PACK JOINT BY
TWO 3/4" CTS PACK JOINT

REMOTE READING METER
SET SIDE BY SIDE