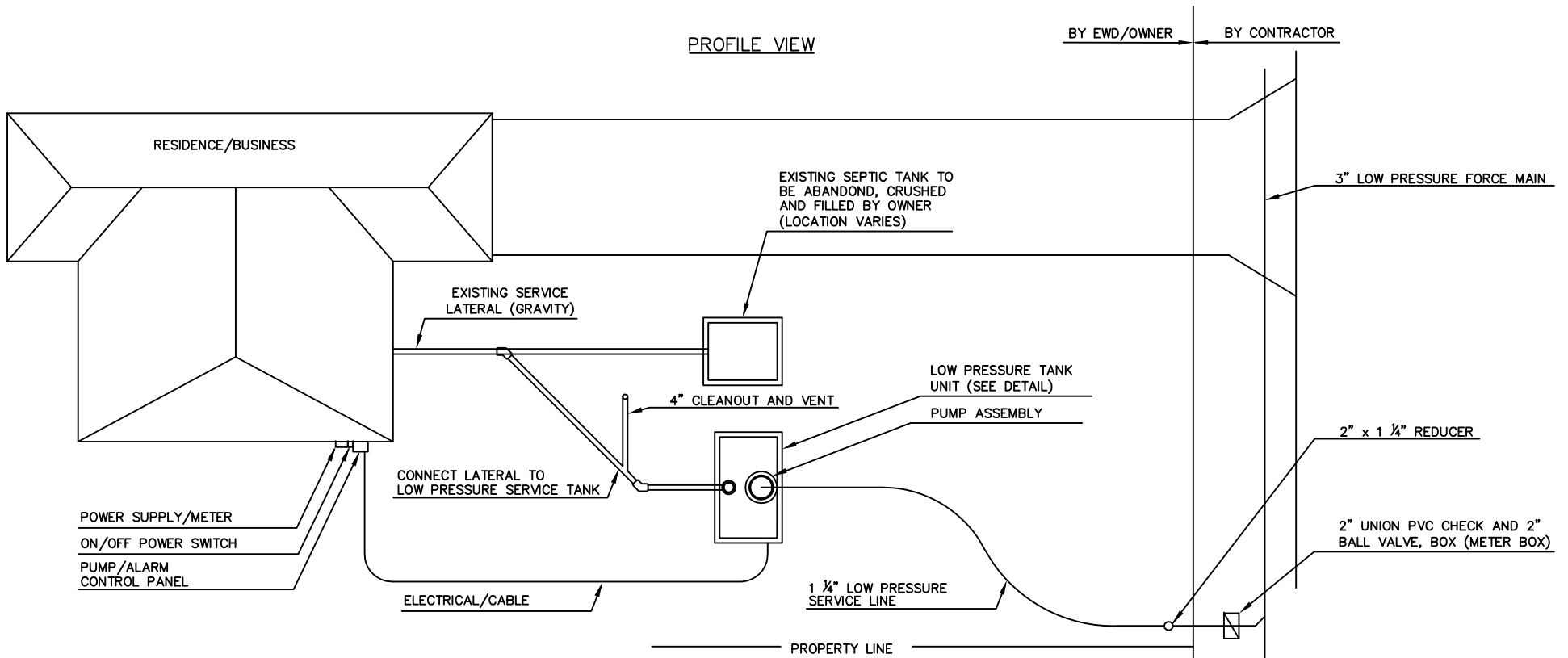


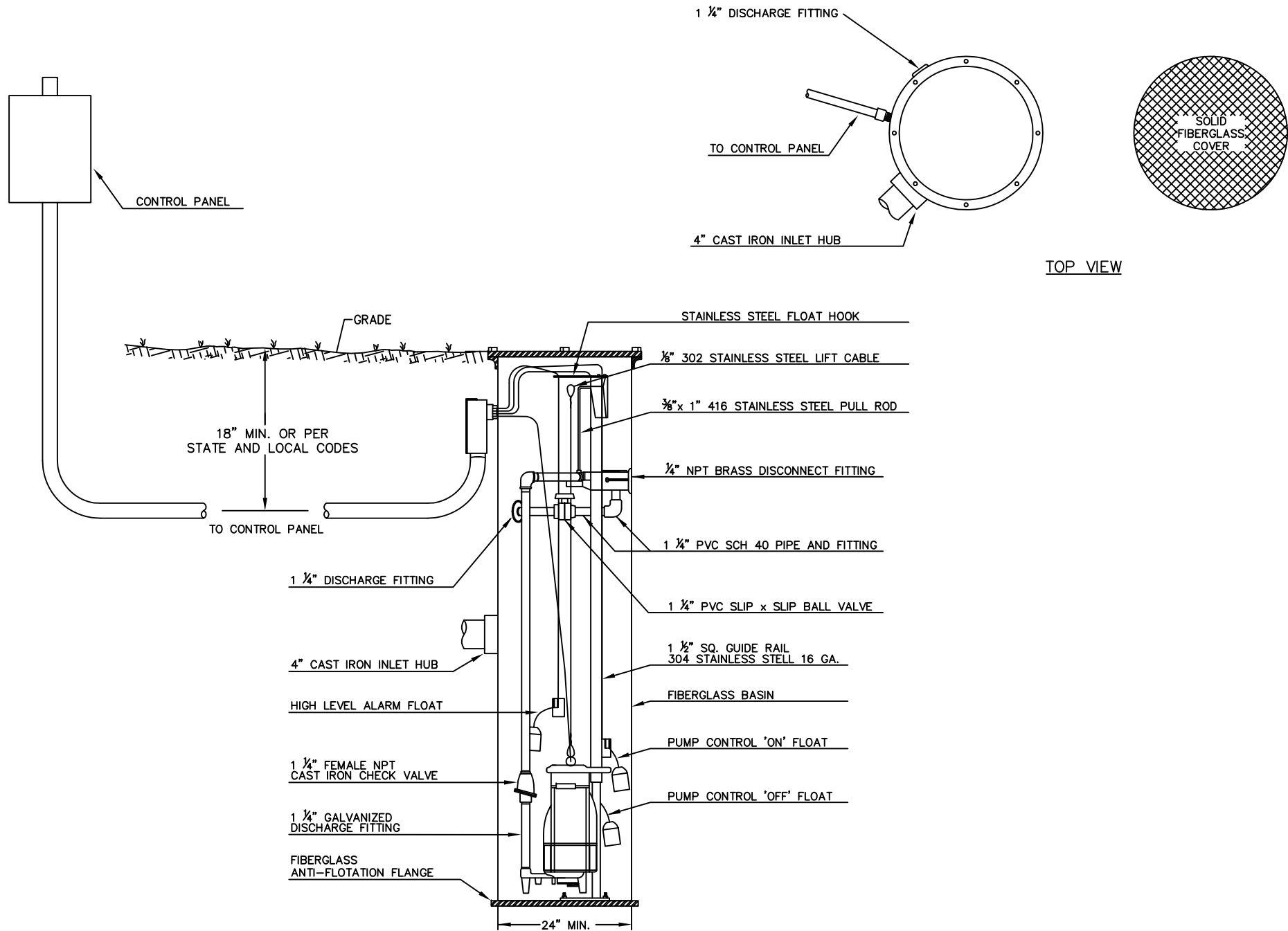
PROFILE VIEW



PLAN VIEW

TYPICAL LOW PRESSURE SEWER INSTALLATION

N.T.S.



LOW PRESSURE TANK UNIT

N.T.S.