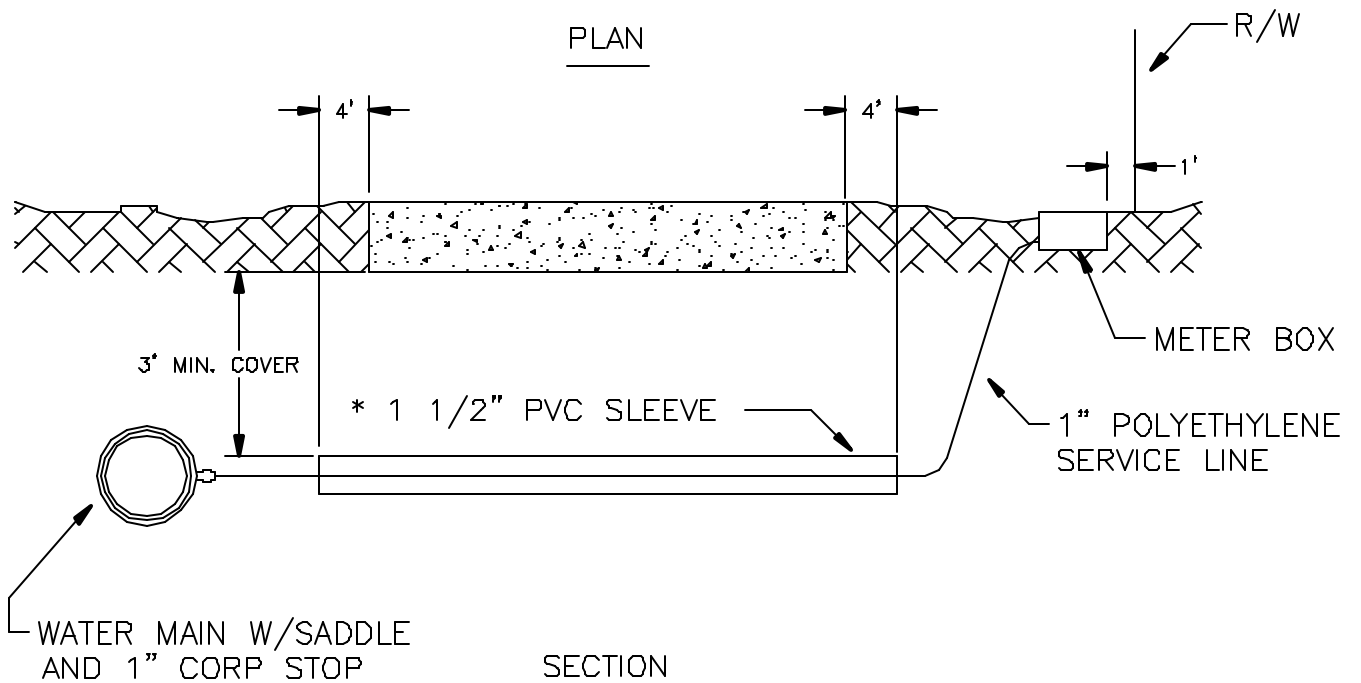


PLAN



SECTION

ROAD CROSSING DETAIL

N.T.S.

\* 2" BLACKSTEEL PIPE  
WHEN REQUIRED