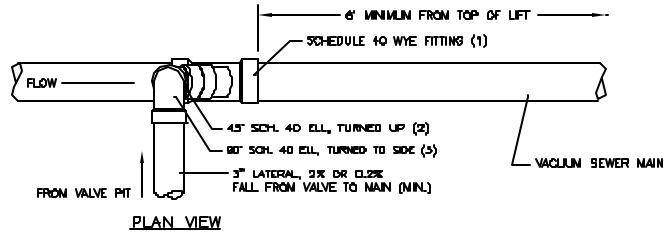


ELEVATION

DIMENSIONS BASED ON SPEARS MANUFACTURING

- (1) 45 DEG WYE, SOCKET x SOCKET x SOCKET
- (2) 45 DEG ELL, SOCKET x SOCKET
- (3) 90 DEG ELL, SOCKET x SOCKET



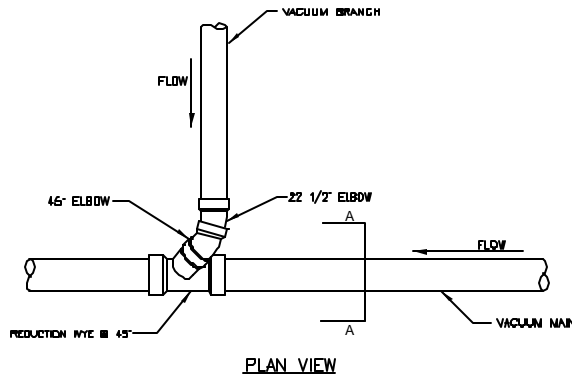
PLAN VIEW

VALVE PIT TO MAIN OR BRANCH CONNECTION

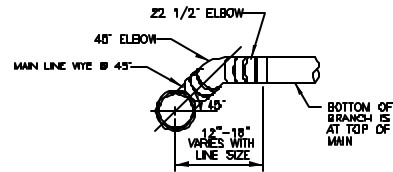
WYE SIZE	A	B	C	D	E	F-- INVERT
4 x 4 x 3	9 1/4"	3 1/16"	3 1/16"	3 25/32"	15.55"	1.31'
6 x 6 x 3	10 1/2"	3 1/16"	3 1/16"	3 25/32"	16.43"	1.38'
8 x 8 x 3	13"	3 1/16"	3 1/16"	3 25/32"	18.20"	1.53'
10 x 10 x 3	14 3/8"	3 1/16"	3 1/16"	3 25/32"	19.17"	1.62'

VALVE SERVICE CONNECTION

N.T.S.



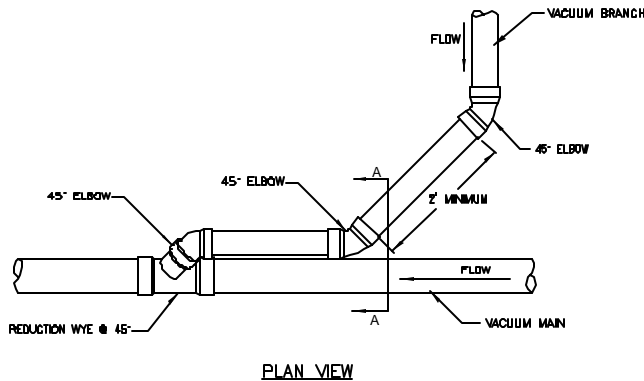
PLAN VIEW



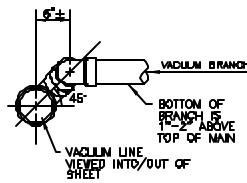
SECTION A-A

ALTERNATE VACUUM BRANCH TO MAIN LINE CONNECTION

N.T.S.



PLAN VIEW



SECTION A-A

ALTERNATE VACUUM BRANCH TO MAIN LINE CONNECTION

N.T.S.