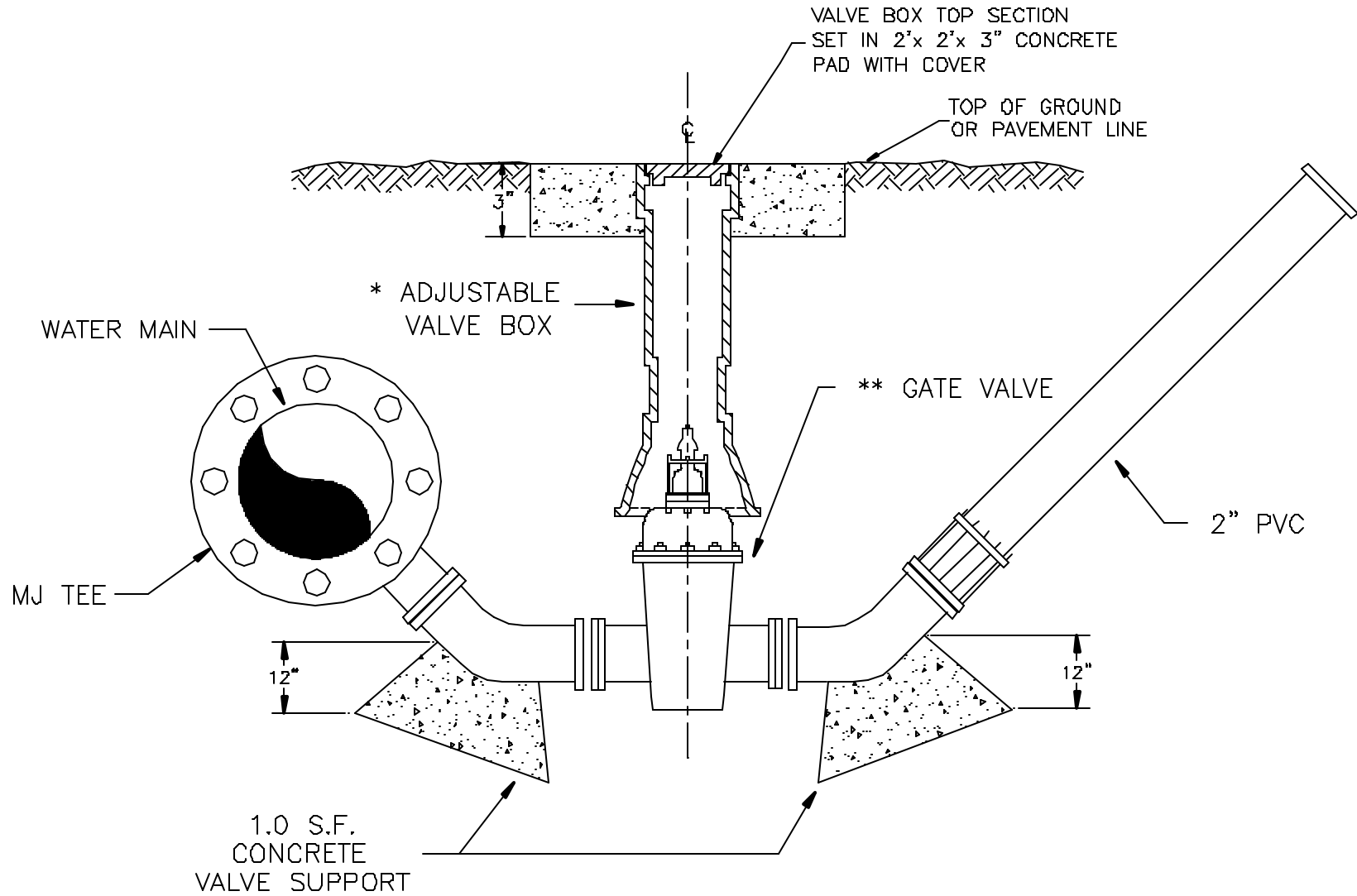


- \* VALVE BOX CENTER SECTION AS REQUIRED
- \*\* UTILITY APPROVED GATE VALVE



2" INLINE BLOWOFF ASSEMBLY

N.T.S.