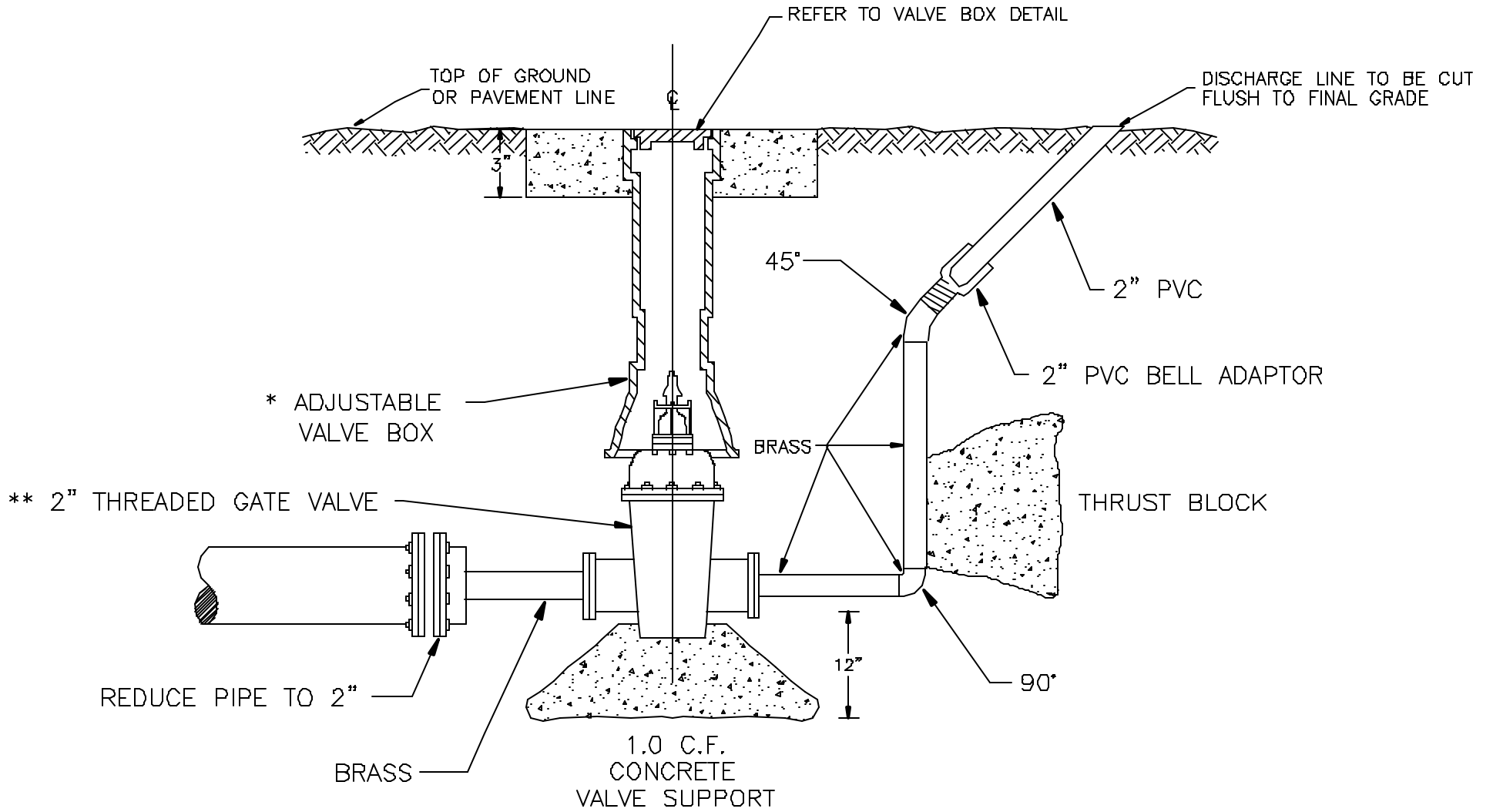


- * VALVE BOX CENTER SECTION AS REQUIRED
- ** UTILITY APPROVED GATE VALVE



2" DEAD END BLOWOFF ASSEMBLY

N.T.S.